

Series MIB22 / Inkremental Hall Effect Encoder

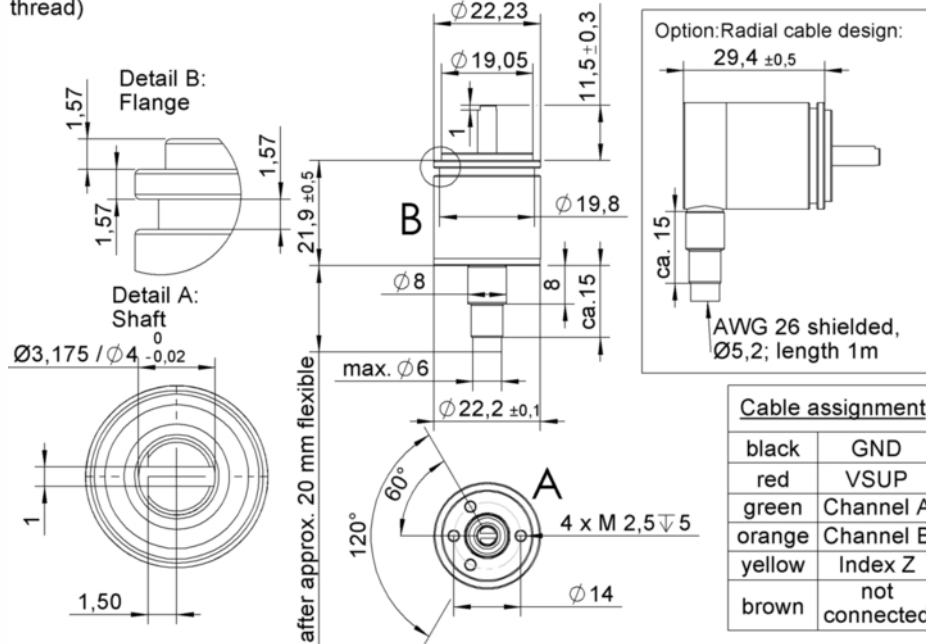
- Contactless Hall-Technology
- Resolution up to 1024 ppr.
- 2 Channels with Index
- 2 Precision Ball Bearings
- Possibility of reading out the absolute angular position of the sensor (option EI3)
- 5 V, 8-30 V Power Supply
- Interfaces: Open Collector, TTL
- Housing \varnothing 22 mm

The MIB22 is a sensor with a good price/performance ratio, if a sturdy housing and precision ball bearings are requested. It offers a huge range of mounting possibilities.

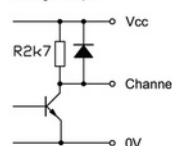


Drawing

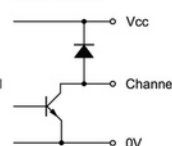
In this view: Option N (Index Z positioned, slot and flat fall in line with the middle mounting thread)



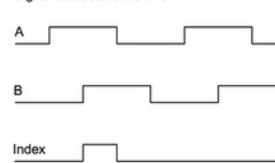
Option NPN:
Voltage Output



Option OC:
Open Collector



Signal characteristics in CW



Series MIB22 / Inkremental Hall Effect Encoder

Electrical Data

Pulses	1-128, 256, 512, 1024 ppr.
Channels	A, B, Z
Limit frequency	10 kHz
Supply voltage	5 V \pm 10% (Ripple < 100mVpp) / 8-30 V
Supply current (no load)	< 20 mA

Mechanical Data

Maximum rotational speed	6000 rpm.
--------------------------	-----------

Other Data

Protection class	IP65
Operating temperature	-30 .. +80 °C
Storage temperature	-40 .. +80 °C
Bearing	2 precision ball bearings
Housing material	chromed aluminium
Shaft material	stainless steel
Weight	\approx 90 g

Series MIB22 / Inkremental Hall Effect Encoder

Order Description and Options

Description	Series	Options							
Infiniturn with incremental output and 22mm housing	MIB22								
Shaft Diameter		3,175							
		4							
Resolution									
Standard 1024 ppr.			1024						
1-128 ppr. (free choice)			1...128						
256 ppr.			256						
512 ppr.			512						
Supply voltage									
5V ± 10%				5					
8-30V				24					
Output channel									
A, B and Index Z						BZ			
Output signal									
TTL-level							TTL		
Open Collector							OC		
Zero point alignment:									
Index Z is positioned on mechanical zero point								N	
Shaft length [mm] related on mounting surface: (Standard 11,5 mm, no description necessary)									Axx
Axial cable outlet (CV) or radial cable outlet (CVR), Cable length [m] (Standard CV 1 m, no description necessary)									CVxx CVRxx
Example standard version:	MIB22	4	1024	5	BZ	TTL			
Infiniturn with incremental output and 22 mm housing, 4mm shaft diameter, 1024 ppr., 5V ± 10% supply voltage, output channel A,B and index Z, output signal TTL-level									
Example with options:	MIB22	4	30	5	BZ	TTL	N	A30	CV0,5
Infiniturn with incremental output and 22 mm housing, 4 mm shaft diameter, 30 ppr., 5V ± 10% supply voltage, output channel A,B und index Z, output signal TTL-level, impuls Z positioned on mechanical zero point, shaft length 30mm related on mounting surface, cable length 0,5m									

Our speciality are custom solutions

Examples: Mounting of gear wheels and other mechanical parts, assembling of cables, connectors and more. Please ask for more options and fittings.

Please see the following table with the electrical options.

Electrical Options (EI)

<p>Individual resolution (standard 1024 ppr.) As a unique feature any number of pulses from 1-128 pulses per revolution can be programmed in a 3 channel configuration. Above 128 ppr. the following resolutions are possible as standard option: 256, 512 ppr.</p>	EI1
<p>Push - Pull Function (for housing bigger than 25 mm) In an open collectro mode the driver current is limited by pull up resistor. In push - pull mode the driver current goes up to 300 mA. Longer distances and faster switching is possible.</p>	EI2
<p>Output of the absolute position After switching on of the EcoTurn supply voltage the absolute position is measured and the encoder generates the number of pulses accordingly. Afterwards the behaviour of the encoder is like a standard incremental encoder. That means the absolute position is transmitted instantly after power on and there is no need to drive to the home positon. But please take care that the external counter is switched on before the encoder.</p>	EI3
<p>Z-Point Positioning It is possible to position the index Z in line with the mechanical zero point (standard option N). Also any offset to this position is possible.</p>	EI5
<p>Inverted Signals The channels A and B can be inverted or not inverted independent of each other. The basic type is not inverted.</p>	EI6

The specifications and information in this datasheet cannot consider all special demands that are caused by the application. Because of this, they are no general description of the properties of the product.

05. Sept. 2012. All specifications are subject to change without notice