

Series MIB22H / Incremental Hall Effect Encoder

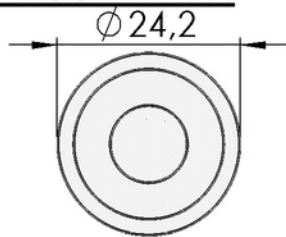
- Housing diameter 22 mm
- Resolution up to 1024 ppr.
- 2 channels and index
- 5 V, 8-30 V power supply
- Interfaces: Open Collector, TTL
- Possibility of reading out the absolute angular position of the sensor (option EI3)
- Protection class IP67
- Wear- and frictionless
- Fine Adjustment by a free rotatable clamp ring

The MIB22H ist suited for applications in rough environs. He has no bearings and therefore hi is ideal for applications with high demands on life time.

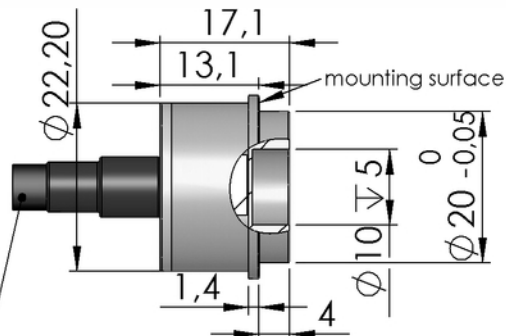


Drawing

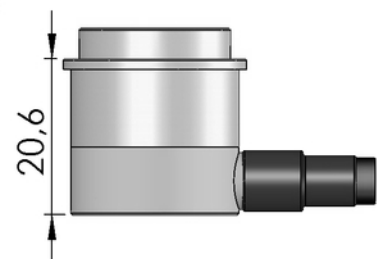
SENSOR HEAD



cable length $1 \pm 0,05$ m

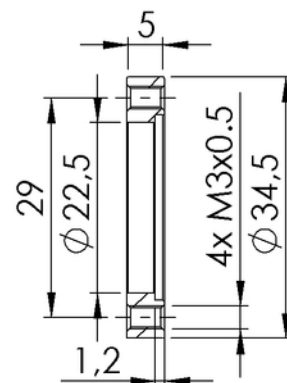
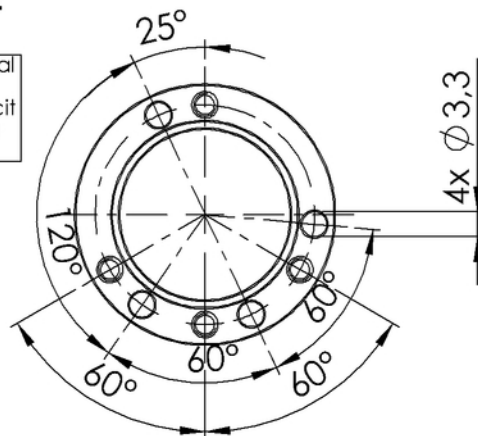


Option radial cable



MOUNTING RING (included in delivery)

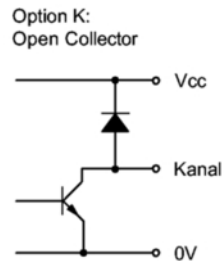
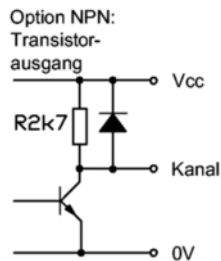
Notice concerning the option radial cable. The mounting ring is not removable. Please mention it explicit if mounting without mounting ring is required.



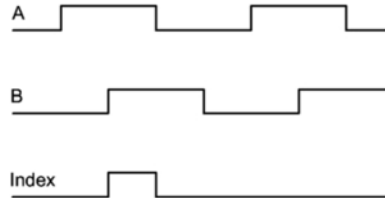
Series MIB22H / Incremental Hall Effect Encoder

Cable:					
black	red	green	orange	yellow	brown
GND	VSUP	Channel A	Channel B	Index Z	not connected

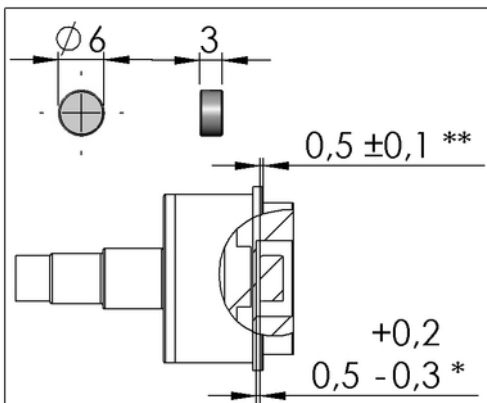
Interface



Flankenfolge bei Drehung im
Uhrzeigersinn typische
Ausgangssignale



Magnet (included in delivery)



* related on bottom of the blindhole
** related on mounting surface

Electrical Data

Resolution	1-128, 256, 512, 1024 ppr.
Channel	A, B, Z
Limit frequency	10 kHz
Supply voltage	5 V \pm 10% (Ripple < 100 mVpp) / 8-30 V
Supply current (no load)	< 20 mA

Mechanical Data

Maximum mechanical rot. speed	10.000 rpm
-------------------------------	------------

Series MIB22H / Incremental Hall Effect Encoder

Other Data

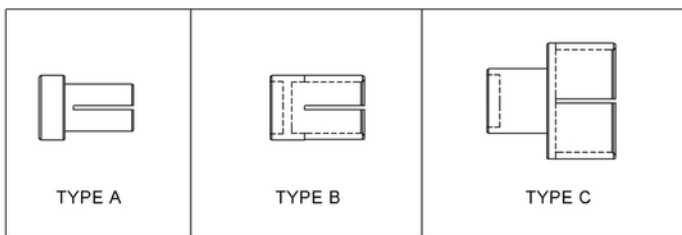
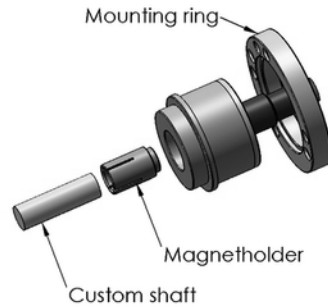
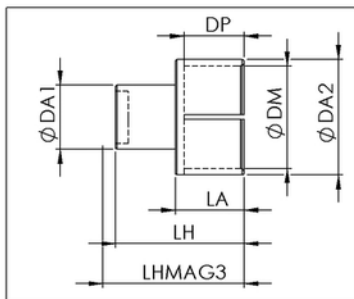
Protection class	IP67
Operating temperature	-30 ... +80 °C
Storage temperature	-40 ... +80 °C
Housing material	chromed aluminium
Magent holder material	brass
Weight	ca. 35 g

Order description and Options

Description	Series	Options				
Infiniturn with incremental output and 22mm housing	MIB22H					
Resolution Standard 1024 ppr. 1-128 ppr. (free choice) 256 ppr. 512 ppr.		1024 1...128 256 512				
Supply voltage 5V ± 10% 8-30V			5 24			
Output channel A, B and Index Z				BZ		
Output signal TTL-level Open Collector					TTL OC	
Axial cable outlet (CV) or radial cable outlet (CVR), Cable length [m] (Standard CV 1 m, no description necessary)						CVxx CVRxx
Example standard version:	MIB22H	1024	5	BZ	TTL	
Infiniturn with incremental output and 22 mm housing, 1024 ppr., 5V ± 10% supply voltage, output channel A,B and index Z, output signal TTL-level						
Example with options:	MIB22H	30	5	BZ	TTL	CV0,5
Infiniturn with incremental output and 22 mm housing, 30 ppr., 5V ± 10% supply voltage, output channel A,B and index Z, output signal TTL-level, cable length 0,5m						

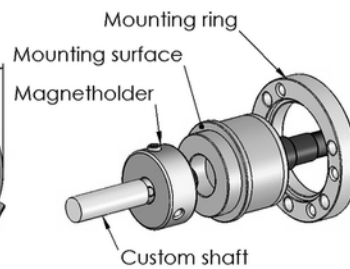
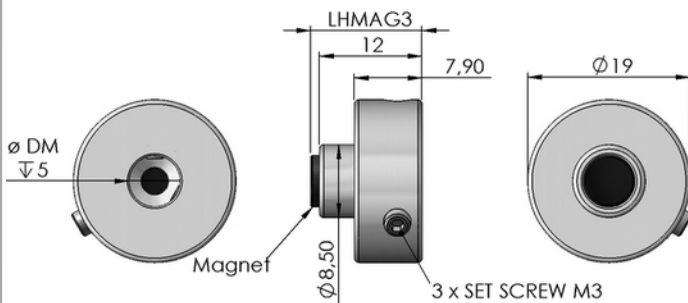
Accessory (please order separately)

ACCESSORY PUSH-ON-MAGNETHOLDER



TYPE	DM	DA1	DA2	LH	LA	DP	LHMAG3	shaft diameter = DM (h9)
A	3	7,5	4,5	11	---	8,5	12,5	3 +0/-0,030
	3,175	7,5	4,5	11	---	8,5	12,5	3,175 +0/-0,030
	4	7,5	5,5	11	---	8,5	12,5	4 +0/-0,030
B	6	7,5	7,5	11	---	8,5	12,5	6 +0/-0,030
	6,35	7,5	7,5	11	---	8,5	12,5	6,35 +0/-0,036
	8	9,5	9,5	11	---	8,5	12,5	8 +0/-0,036
C	10	11,5	11,5	11	---	8,5	12,5	10 +0/-0,036
C	12	7,5	13,5	15	8	7	16,5	12 +0/-0,043

ACCESSORY MAGNETHOLDER WITH SET SCREWS



DM	LHMAG3 standard	shaft diameter = DM (h9)
4	13	3 +0/-0,030
6	13	4 +0/-0,030
6,35	13	5 +0/-0,036
8	13	6 +0/-0,036

Series MIB22H / Incremental Hall Effect Encoder

Order description

Push on magnet holder	3 / 3,175 / 4 / 6 / 6,35 / 8 / 10 / 12	MAG6x3
Magnet holder with set screws	3 / 3,175 / 4 / 6 / 6,35 / 8 / 10 / 12	MAG6x3

Our speciality are custom solutions for reasonable prices, even for small quantities

Examples: Assembling of cables, connectors and gear wheels, special pulse width of the index pulse. Please ask us for more

The specifications and information in this datasheet cannot consider all special demands that are caused by the application. Because of this, they are no general description of the properties of the product. Please also consider our detailed specifications. (Available on request)

07. May 2012. All specifications are subject to change without notice.